

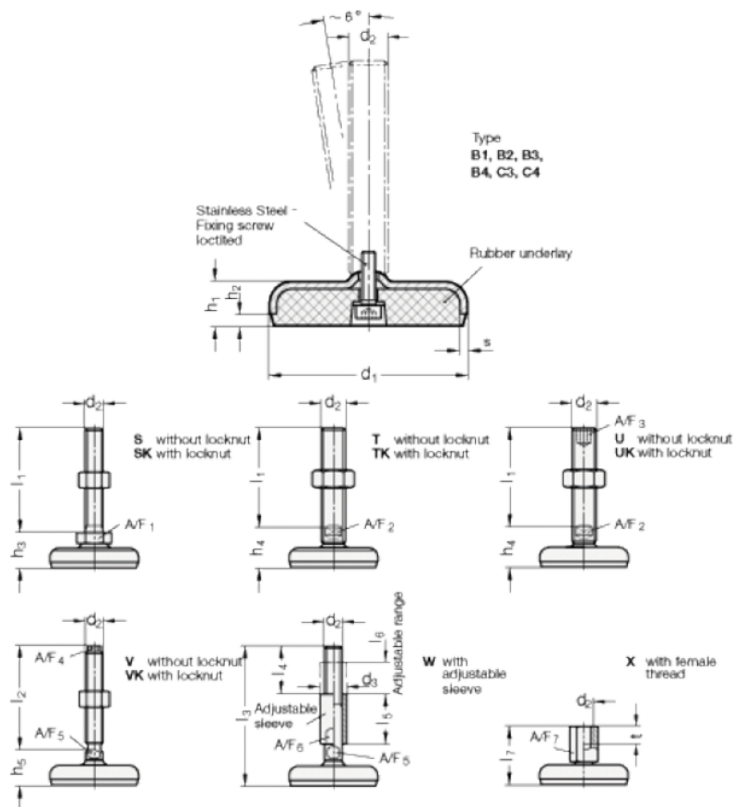
Article number: 203150M1040B2X

Description: E+G levelling foot

GN 31-50-M10-40-B2-X

Note: X With female thread, External hexagon

Measures



A/F7	= 14
d1	= 50
d2	= 10
h1	= 14.5
h2	= 3.5
l7 +4.0/0	= 40
s	= 3
t	= 10